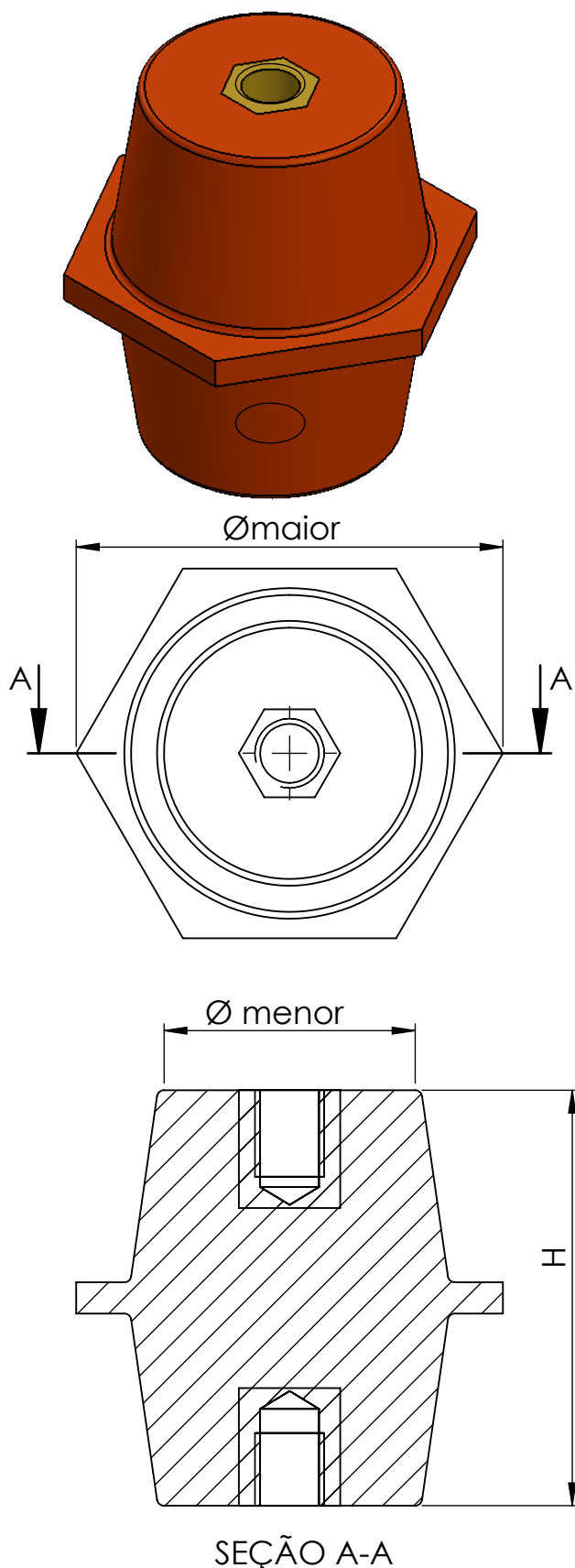



TABELA DE ESCOLHA ISOLADORES BUJÃO SEXTAVADO

CODIGO REF.	DIAM. MAIOR	DIAM MENOR	ALTURA H	INSERTO DE LATÃO	PESO GRS
BS22251	22	16	25	1/4X8X10	
BS22252	22	16	25	M6X8X10	
BS22301	22	16	30	1/4X8X10	
BS22302	22	16	30	M6X8X10	
BS40303	40	33	30	M8X10X12	
BS40304	40	33	30	M10X10X12	
BS40305	40	33	30	3/8X10X12	
BS40353	40	33	35	M8X10X12	
BS40354	40	33	35	M10X10X12	
BS40355	40	33	35	3/8X10X12	
BS46513	46	33	51	M8X15X17	133
BS46514	46	33	51	M10X15X17	133
BS46515	46	33	51	3/8X15X17	133
BS46516	46	33	51	M12X15X17	133
BS52403	52	38	40	M8X10X12	121
BS52404	52	38	40	M10X10X12	121
BS52405	52	38	40	3/8X10X12	121
BS52406	52	38	40	M12X10X12	121
BS52453	52	38	45	M8X10X12	133
BS52454	52	38	45	M10X10X12	133
BS52455	52	38	45	3/8X10X12	133
BS52456	52	38	45	M12X10X12	133
BS52505	52	38	50	3/8X10X12	151
BS52506	52	38	50	M12X10X12	151
BS52507	52	38	50	1/2X10X12	151
BS55604	55	45	60	M10X10X12	245
BS55605	55	45	60	3/8X10X12	245
BS55606	55	45	60	M12X10X12	245
BS55607	55	45	60	1/2X10X12	245
BS52706	52	38	70	M12X10X12	210
BS52707	52	38	70	1/2X10X12	210
BS52806	52	38	80	M12X10X12	230
BS52807	52	38	80	1/2X10X12	230
BS52856	52	38	85	M12X10X12	241
BS52857	52	38	85	1/2X10X12	241



Material	Resina poliester com Fibra de vidro - BMC/Premix	Medidas mm	Escala 2:1	Peso em Kg Tabela
	Descrição Isolador Bujão Sextavado	Data 06/03/18	Revisão 00	
		Desenho/Código BS02		